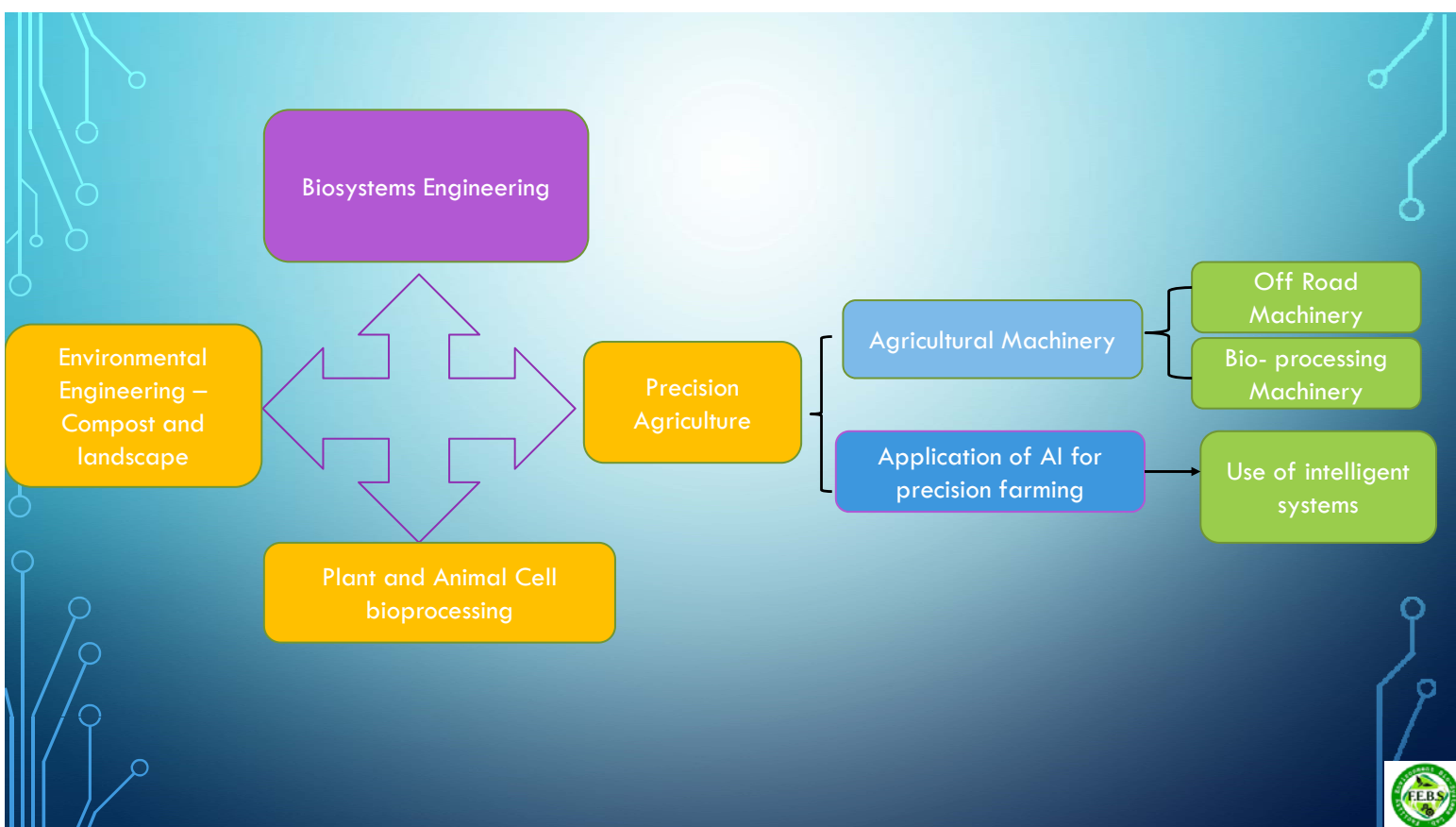




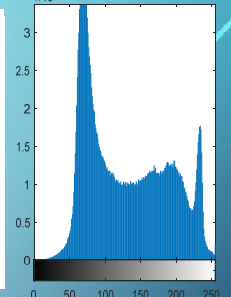
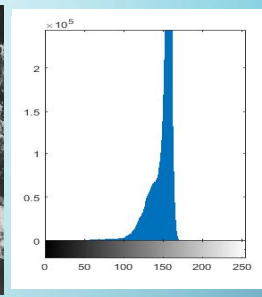
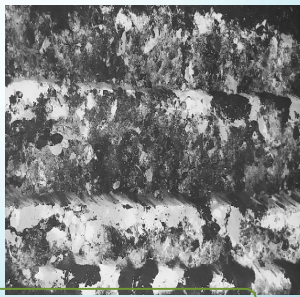
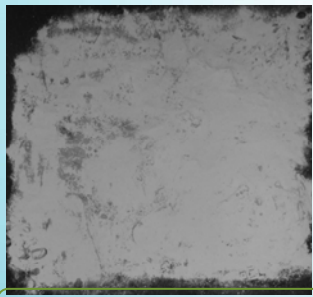
Facility Environment Biosystems(FEBS) Lab
Department of Biosystems Engineering
Institute of Agricultural and Life Sciences
Gyeongsang National University
South Korea

Introduction To My Research Work In FEBS LAB

Frank Gyan Okyere



OFF ROAD MACHINERY



Soil Inversion Ratio

Histogram of area for soil inversion

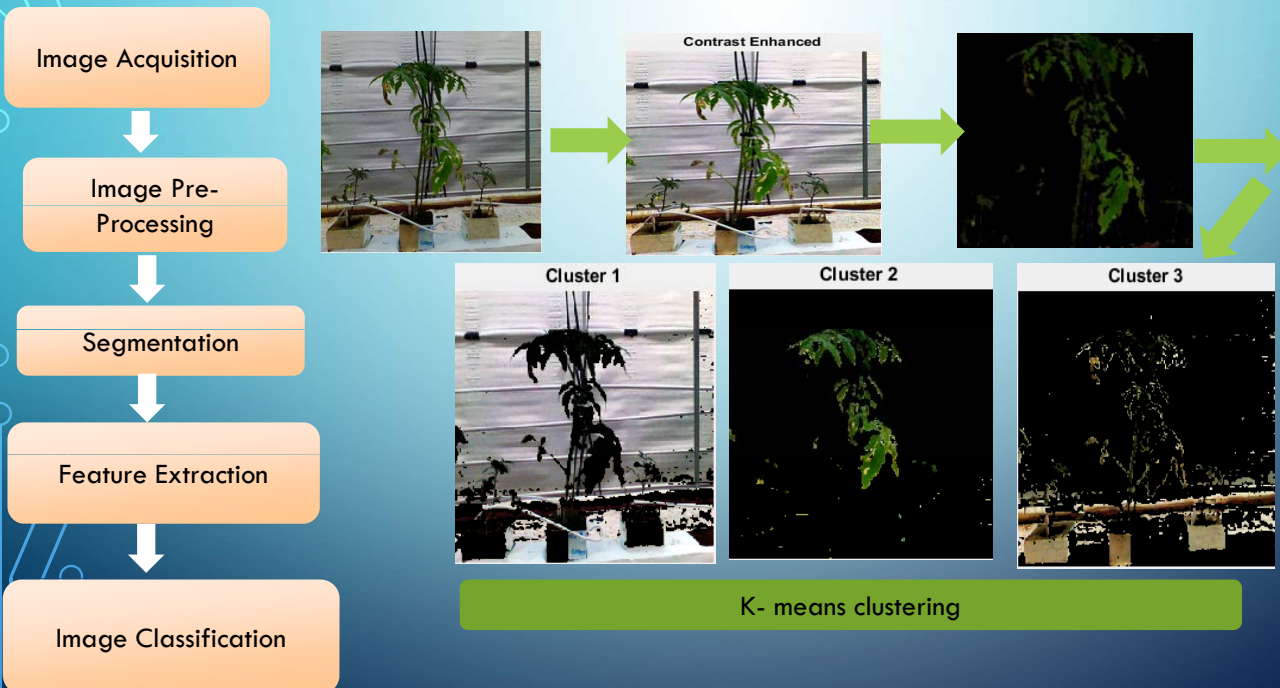
- ❖ Draft Force prediction of a compact disc harrow
- ❖ Determining the Soil inversion Ratio
- Soil Clod Ratio
- Tillage Cutting Depth
- of compact Disc Harrow



Draft Force measurement using a load cell



ARTIFICIAL INTERLIGENCE (AI) APPLICATION IMAGE PROCESSING TECHNIQUE



USE OF SVM MODEL TO DETECT DISEASES ON PLANTS

3RD DAY

7TH DAY

30x1 ategorical array

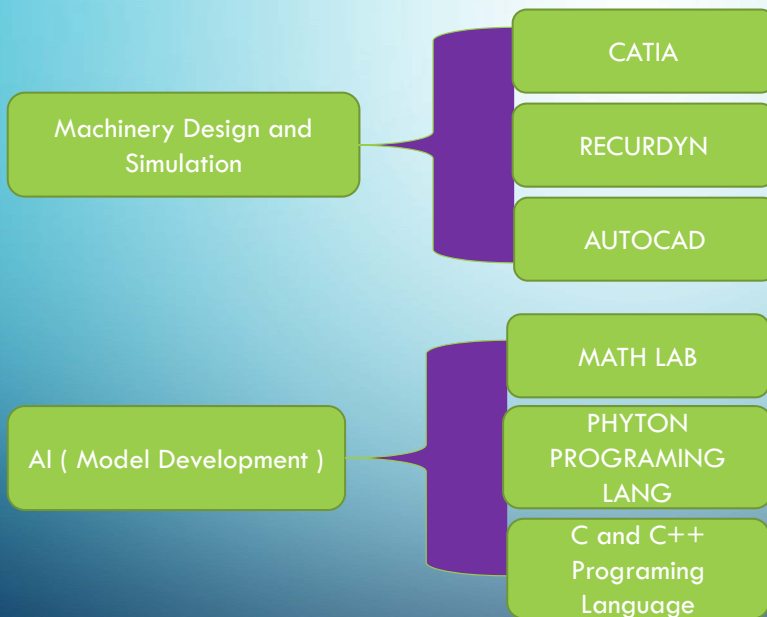
```
not Diseased
not Diseased
not Diseased
not Diseased
Diseased
Diseased
not Diseased
not Diseased
not Diseased
not Diseased
not Diseased
not Diseased
not Diseased
not Diseased
not Diseased
not Diseased
not Diseased
not Diseased
Diseased
Diseased
not Diseased
not Diseased
Diseased
Diseased
Diseased
Diseased
Diseased
Diseased
Diseased
not Diseased
not Diseased
not Diseased
Diseased
```

30x1 ategorical array

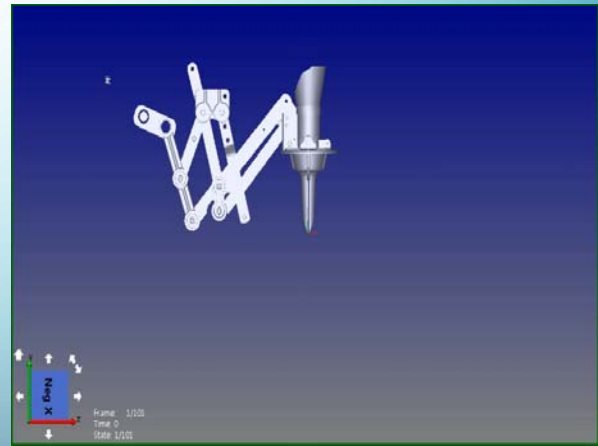
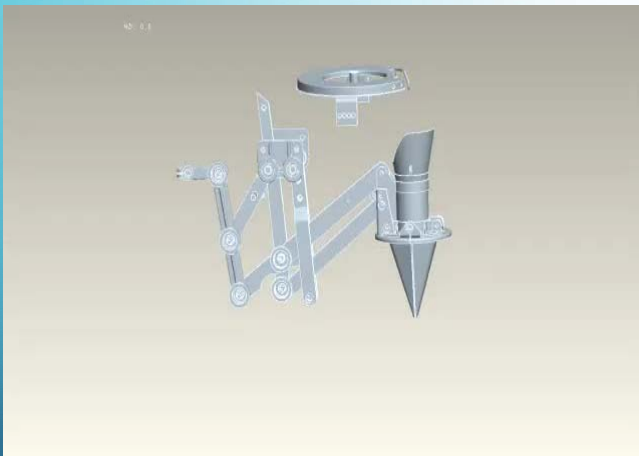
```
Diseased
Diseased
not Diseased
not Diseased
not Diseased
not Diseased
not Diseased
not Diseased
not Diseased
not Diseased
not Diseased
not Diseased
not Diseased
Diseased
Diseased
Diseased
Diseased
not Diseased
not Diseased
not Diseased
Diseased
Diseased
not Diseased
Diseased
Diseased
not Diseased
Diseased
Diseased
Diseased
Diseased
Diseased
Diseased
Diseased
Diseased
Diseased
```



SOFTWARE APPLICATIONS USED



EXAMPLE – USE RECURDYN SIMULATION TO WORK ON VEGETABLE TRANSPLANTER



● Thank you for your attention